

~~SECRET~~

Drawings

U.S. Pat Office

Application Serial N°-70,412

(SIDE - 11)

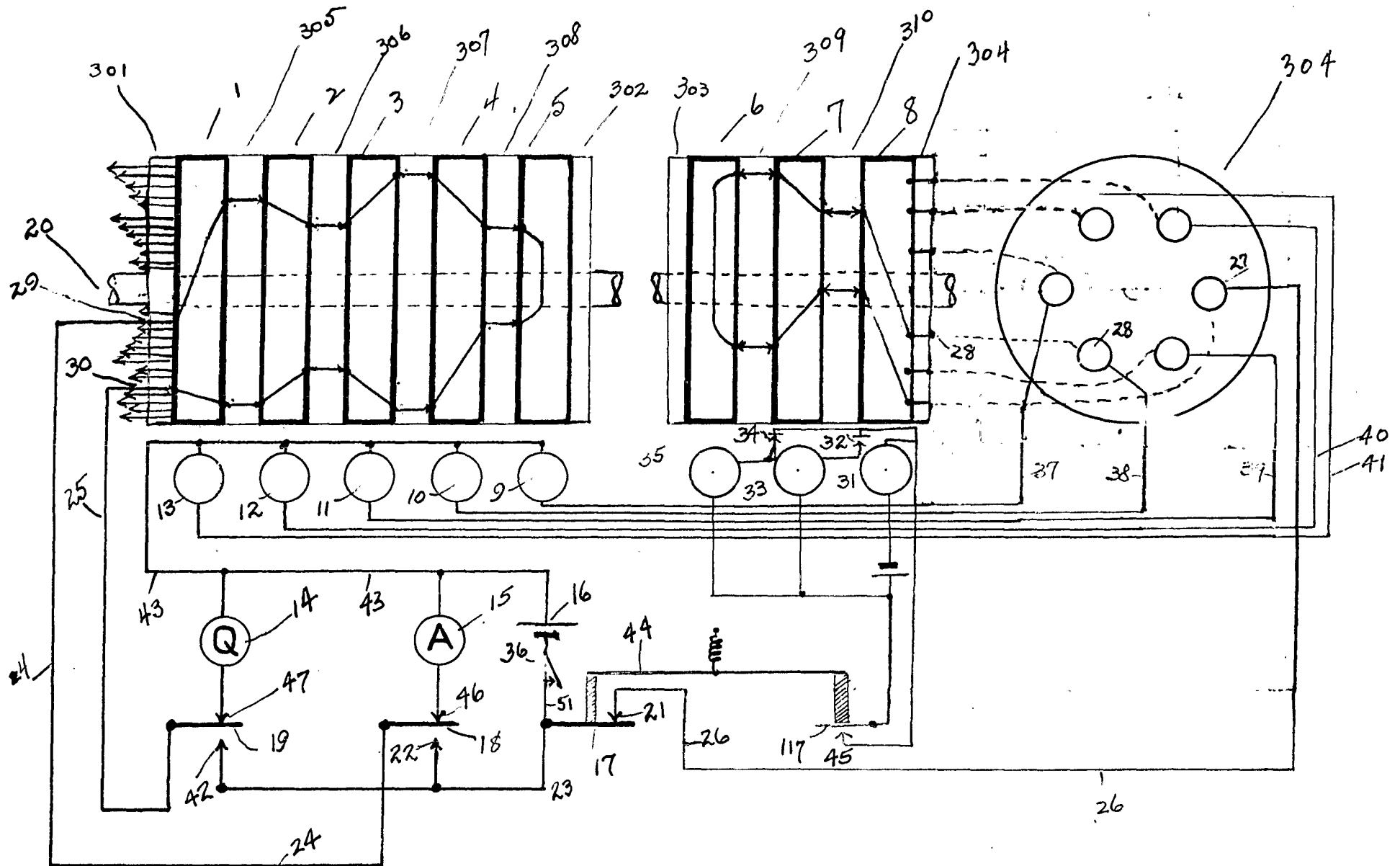


Fig. 1.

Inventors:
 Washington, D. C. Aug. 31, 1935
 William F. Friedman
 Frank B. Rowlett

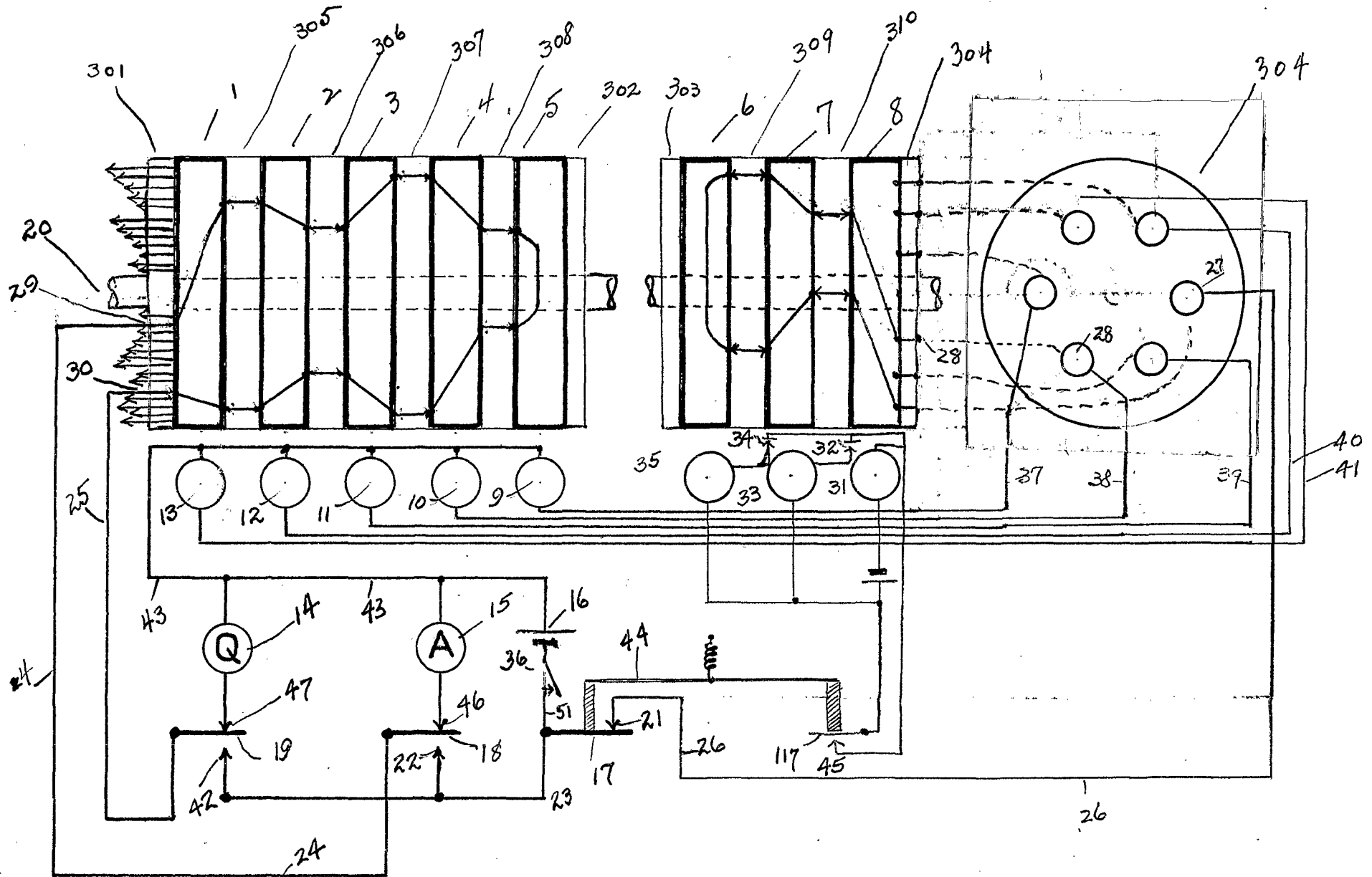
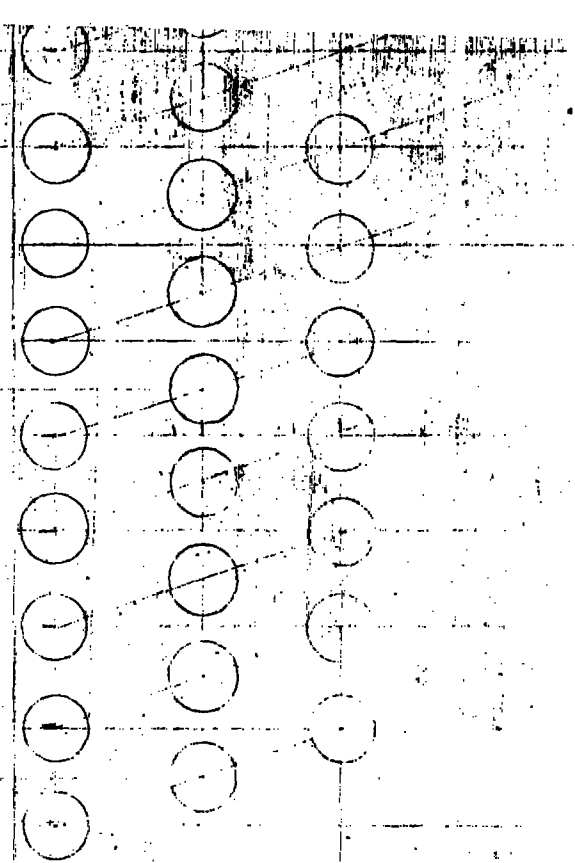
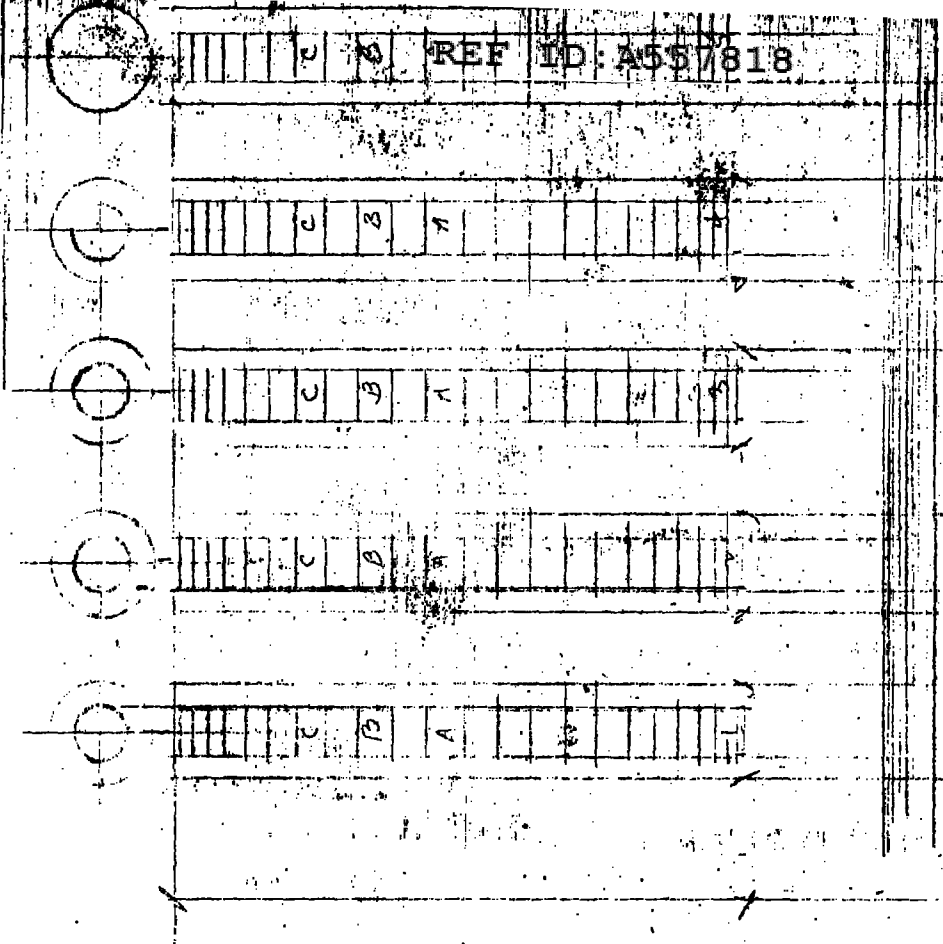
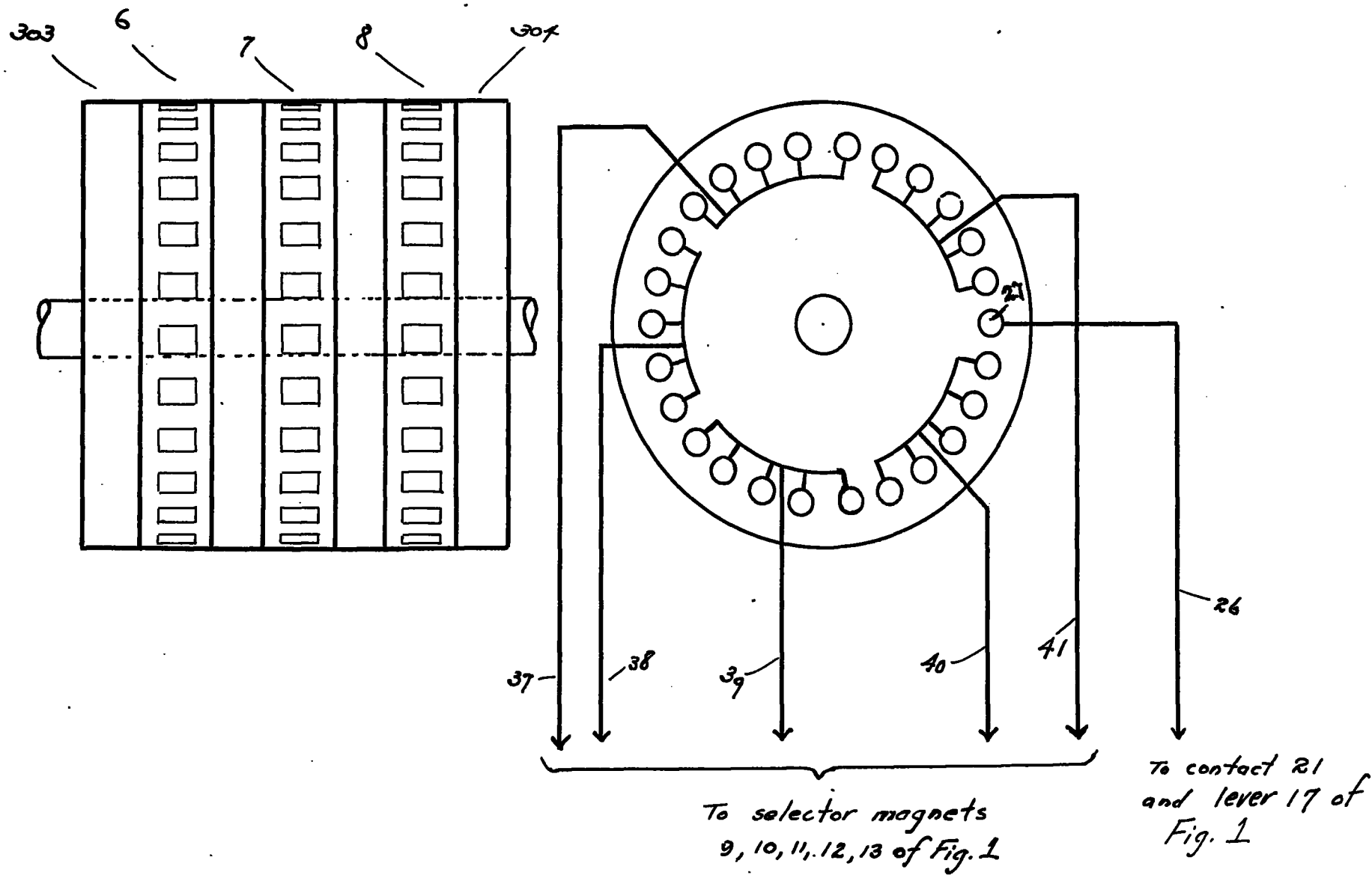


Fig. 1.

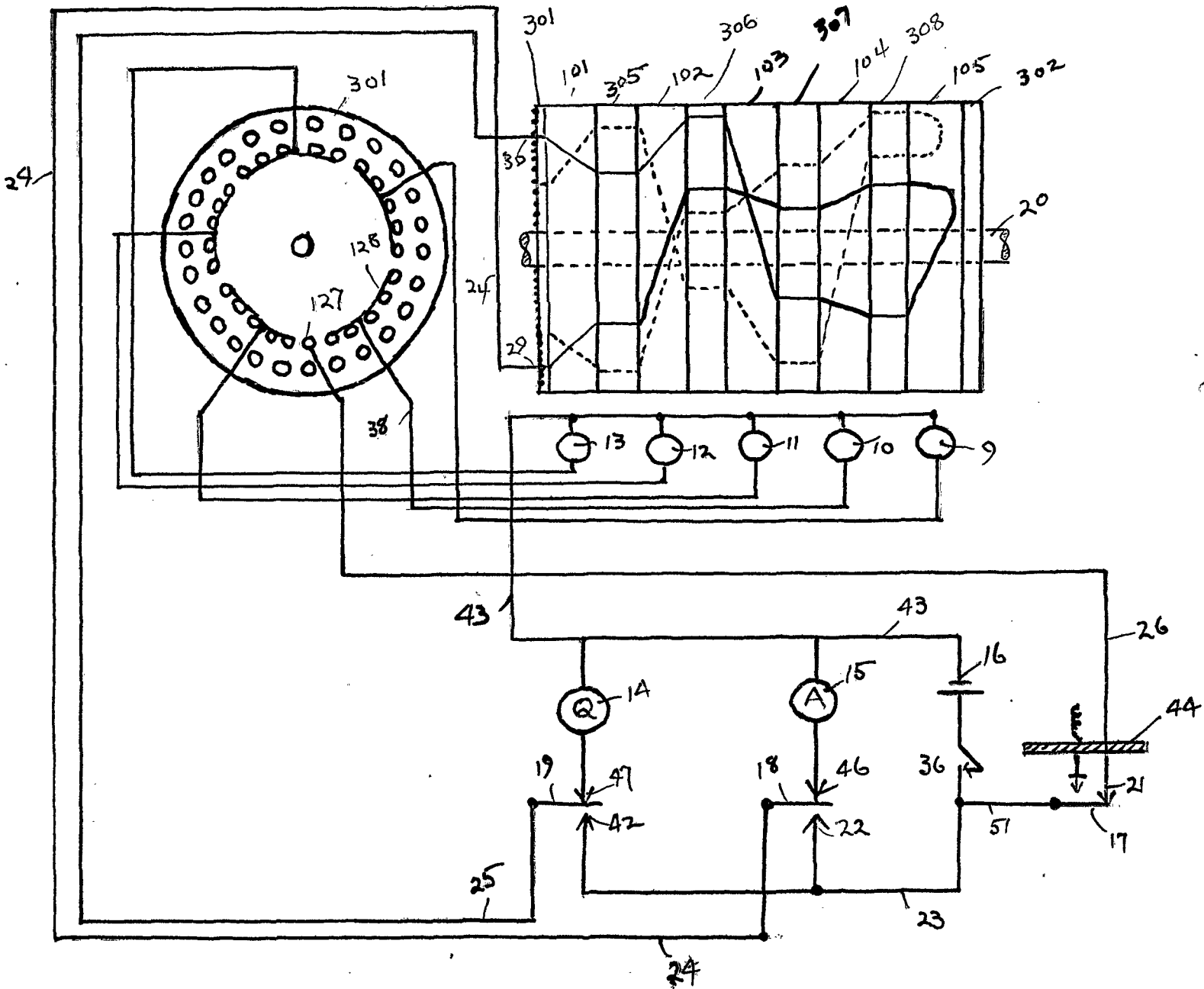
Inventors:
 Washington, D.C. Aug. 31, 1935
 William F. Friedman
 Frank B. Rowlett





Inventors:
 Washington, D.C.
 Aug 30, 1935
 William F. Friedman
 Frank B. Rowlett

Fig. 2



Inventors:
 Washington, D.C.,
 Aug. 31, 1935
 William F. Friedman
 Frank B. Rowlett
 by J.

Fig. 3

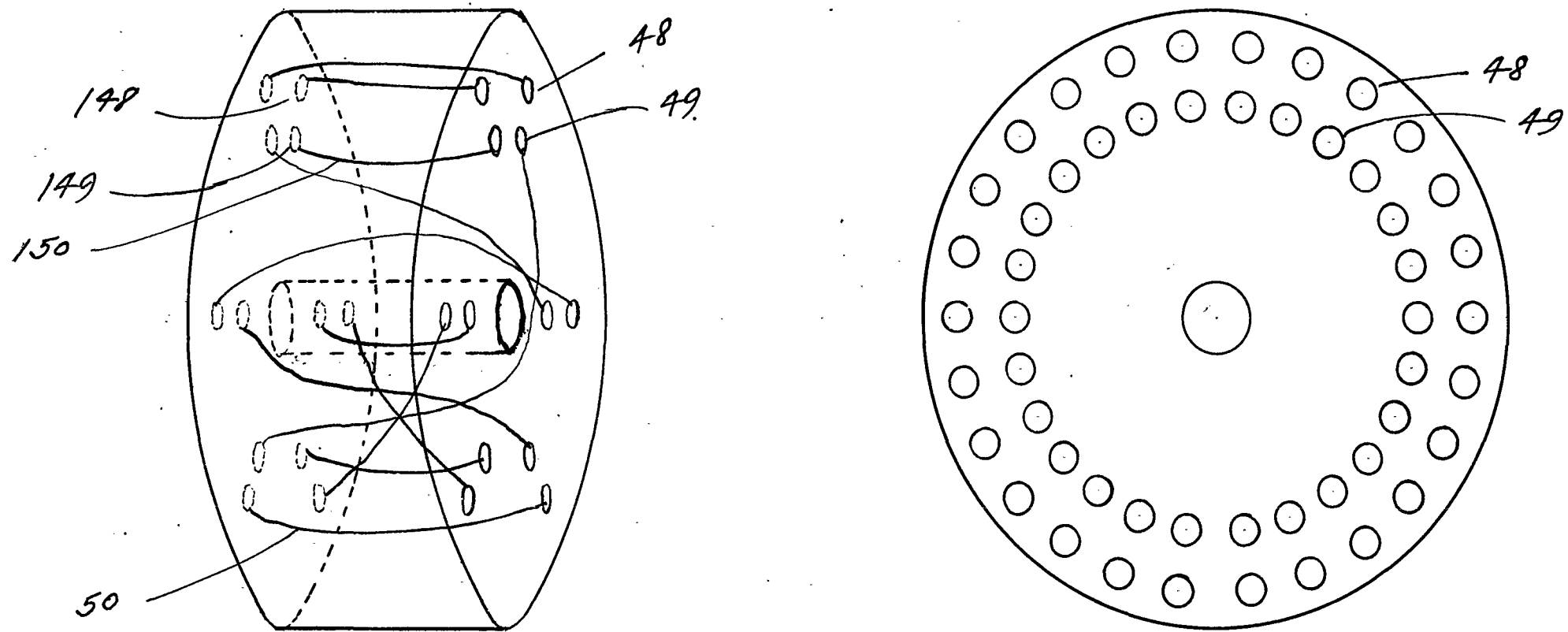
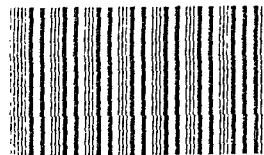


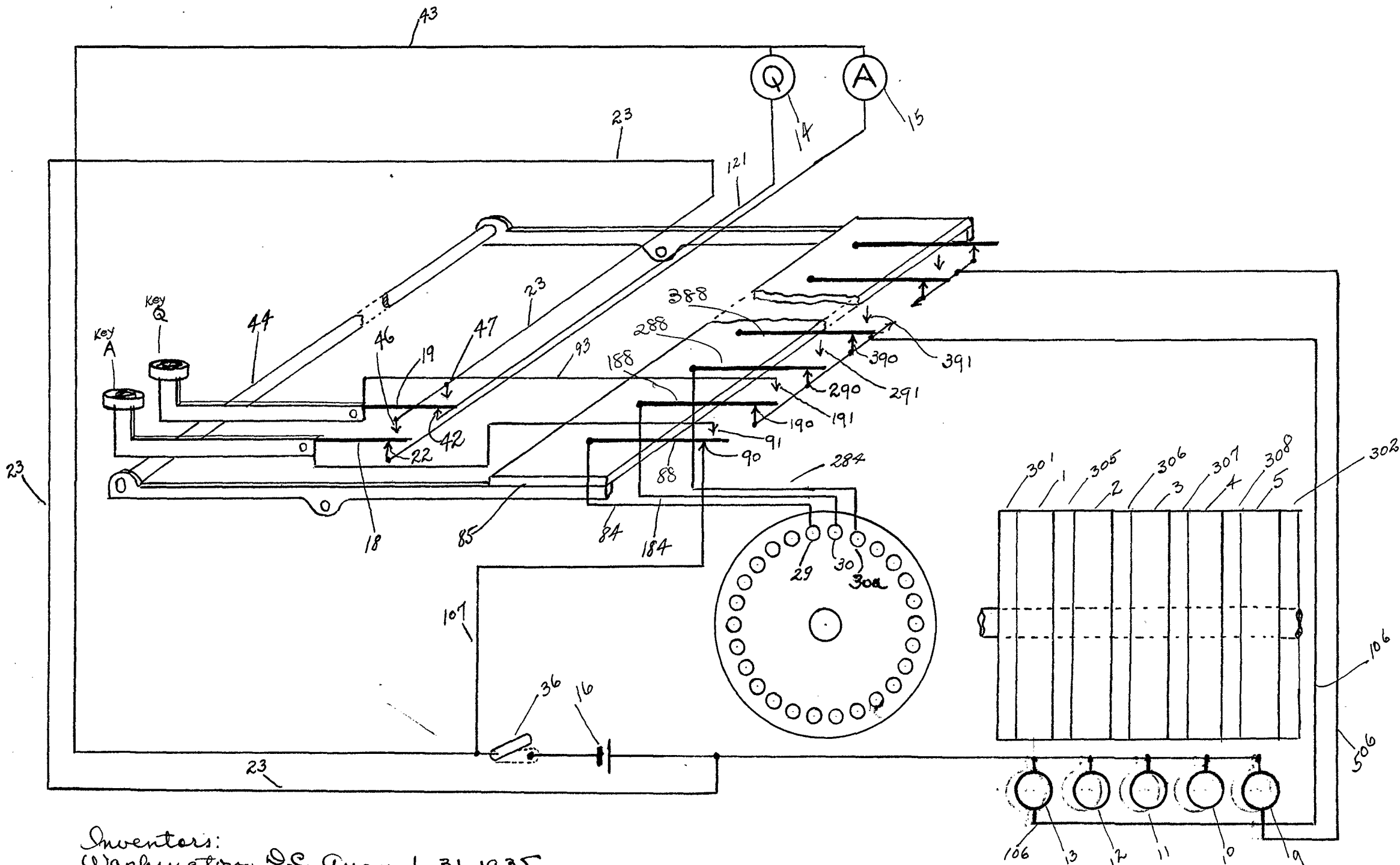
Fig. 4

Inventors:
Washington, D.C. Aug 31, 1935
William F. Friedman
Frank B. Rowlett

Exception Place Holder



77777777777777



Inventors:
 Washington, D.C. August 31, 1935
 William F. Friedman
 Frank B. Rowlett

Fig. 7